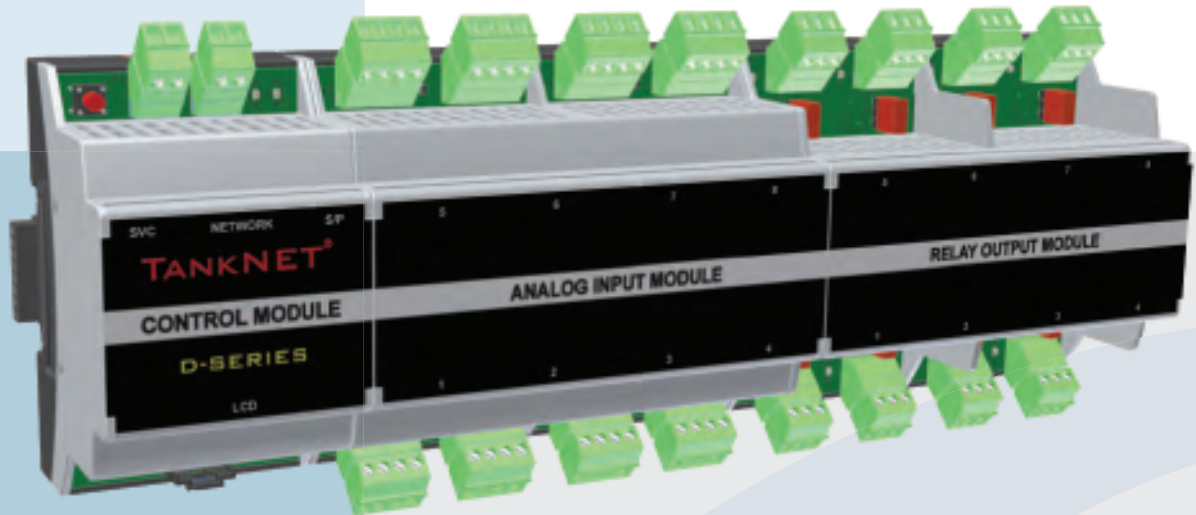


# TANKNET<sup>®</sup> D-SERIES

MODEL: D-8000

## *Central Panel Controller for Winery Applications*



### FEATURES

- 35mm DIN-Rail Mount
- Variety of I/O Modules Available
- Local Operation Via Panel LCD
- Remote Management via Web

### APPLICATIONS

- Multi-Tank Temperature Control
- Multi-Zone Environmental Control
- Multi-Stage Chiller/Heater Control
- Custom Control Applications

### MULTI-TANK TEMPERATURE CONTROL

The TankNET<sup>®</sup> D-Series is a modular, multi-function controller designed specifically for tank temperature and other winery control applications. It mounts on standard DIN rail and includes an integrated backplane that greatly simplifies internal panel wiring. A variety of snap-on I/O modules are available for interfacing the D-Series with traditional sensors and actuators including temperature probes, 4-20mA sensors, solenoid valves, proportional valves and more. Panels built with D-Series controls may be distributed throughout the winery and easily networked together. Local programming and assessment of process values is made possible by an optional panel-mount LCD interface.

When networked to TankNET software, D-Series panels can be remotely monitored and controlled via Web browser and mobile device.

**TANKNET<sup>®</sup>**  
WEB-BASED TEMPERATURE CONTROL  
AND FERMENTATION MANAGEMENT

# D-SERIES MODULES

Contact Acrolon or visit our website for information about other available I/O modules for the D-Series control platform

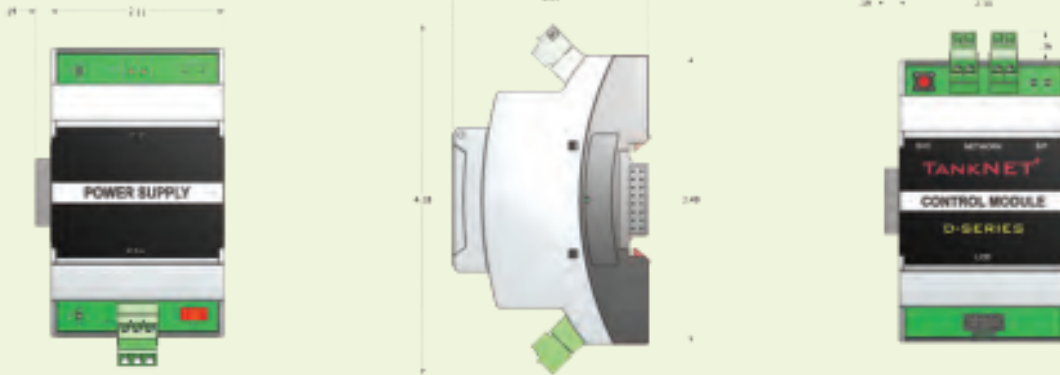
## POWER SUPPLY MODULE

INPUT VOLTAGE	24VAC or 85-to-230VAC @ 50/60Hz
INPUT CURRENT	650mA
FUSE	1 AMP SLOW BLOW 250VAC
OUTPUT POWER	10 Watts
CONNECTORS	3-POSITION REMOVABLE EUROPLUGS

## PROCESSOR MODULE

NETWORKING	LonWorks Free Topology (twisted-pair)
CONNECTORS	2-POSITION REMOVABLE EUROPLUGS
HMI INTERFACE	X-BUS LCD PANEL RIBBON CABLE CONNECTOR
BUTTONS/LEDS	SERVICE PIN, SERVICE LED, POWER
MEMORY TYPE	FLASH MEMORY

COMMON PROFILE

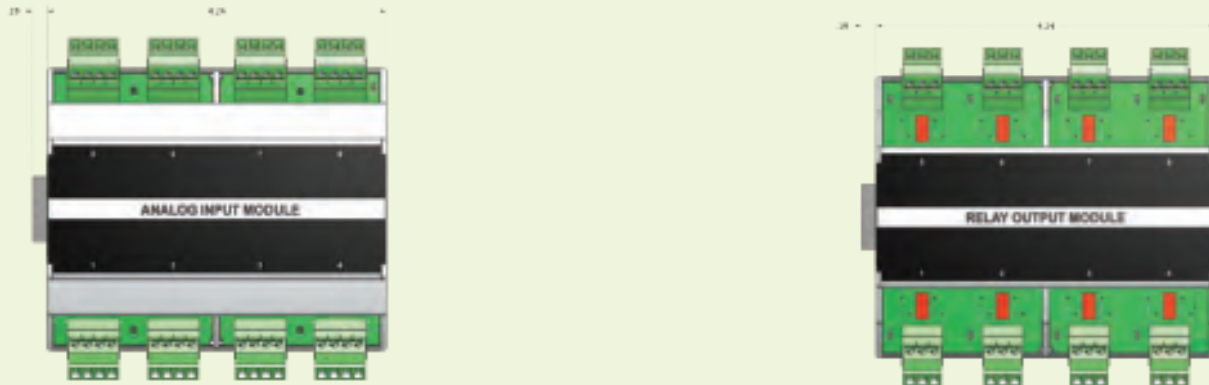


## ANALOG INPUT MODULE

INPUTS	8 x ANALOG INPUTS
INPUT TYPES	TEMPERATURE, 4-20mA or VOLTAGE
RANGE	-20 C to 180 C , 0-24mA, 0-2.5Vdc
RESOLUTION	24-Bit
CONNECTORS	4-POSITION REMOVABLE EUROPLUGS

## RELAY OUTPUT MODULE

OUTPUTS	8 x FORM-C RELAY OUTPUTS
RATING	3 AMP @ 120VAC, 5 AMPS @ 24VAC
CONTACTS	N.O, COMMON, N.C.
FUSES	5 AMP SLOW BLOW 250VAC PER RELAY
CONNECTORS	3-POSITION REMOVABLE EUROPLUGS



SPECIFICATIONS SUBJECT TO CHANGE WITHOUT NOTICE

## ORDERING INFORMATION

# 8000-XXX-A-B-C-D

LINE VOLTAGE  
024 = 24VAC  
115 = 85-230VAC

SLOT-D MODULE  
SLOT-C MODULE  
SLOT-B MODULE  
SLOT-A MODULE

**ACROLON TECHNOLOGIES, INC.**  
19201 Sonoma Hwy. #256  
Sonoma, CA 95476

phone: (707) 938-1300  
e-mail: [info@acrolon.com](mailto:info@acrolon.com)  
url: [www.acrolon.com](http://www.acrolon.com)

**TANKNET®**  
WEB-BASED TEMPERATURE CONTROL  
AND FERMENTATION MANAGEMENT